

# High performance, stylish indoor dome



## High Resolution WDR Varifocal Dome Camera

# SCD-3080



Equipped with our latest SV-V DSP chipset, the SCD-3080 achieves vivid graphics at 600TV lines resolution. With low light levels of 0.3lux, it delivers crystal clear images even in the dark environment. In addition, the SCD-3080's 3.9x varifocal lens (2.8 ~ 11mm) provides maximum flexibility for installation and also, there is built-in coaxial control compatibility, VPS (Virtual Progressive Scan) and intelligent video analytics for user convenience.

- High resolution 600TV lines & 0.3Lux sensitivity
- 3.9x varifocal lens (2.8 ~ 11mm)
- Discreet and compact design
- VPS (Virtual Progressive Scan)
- Intelligent video analytics (Detection, Traking, Fixed, Moved, Alarm out)
- Privay masking with polygonal type

# High Resolution WDR Varifocal Dome Camera

## SCD-3080

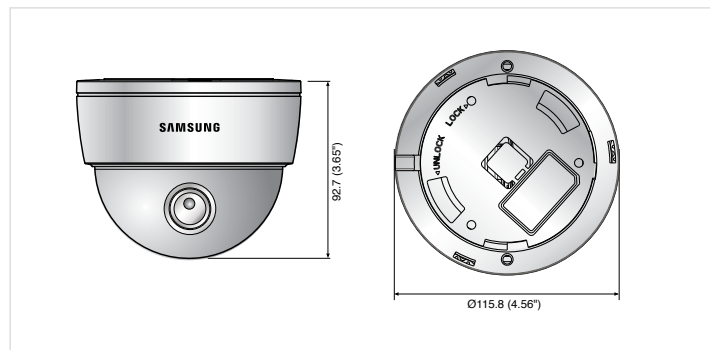


### Specifications

	SCD-3080N	SCD-3080P
<b>ELECTRICAL</b>		
Input Voltage	Dual (12V DC/ 24V AC)	
Power Consumption	Max. 3.5W	
<b>VIDEO</b>		
Imaging Device	1/3" Vertical double density interline CCD	
Total Pixels	811(H) x 508(V)	795(H) x 596(V)
Effective Pixels	768(H) x 494(V)	752(H) x 582(V)
Scanning System	2 : 1 Interface	
Synchronization	Internal / Line lock	
Frequency	H : 15.734KHz / V : 59.94Hz	H : 15.625KHz / V : 50Hz
Horizontal Resolution	Color : 600TV lines (Min.) / B/W : 700TV lines (Min.)	
Min. Illumination	Color : 0.3Lux (50IRE@F1.2), 0.0006Lux (Sens-up, 512x) B/W : 0.01Lux (50IRE@F1.2), 0.00002Lux (Sens-up 512x)	
S / N (Y signal)	52dB (AGC off, Weight on)	
Video Output	CVBS : 1.0Vp-p / 75Ω composite	
<b>LENS</b>		
Zoom Ratio	3.9x (Manual)	
Focal Length	2.8 ~ 11mm (F1.2)	
Max. Aperture Ratio	1 : 1.2(Wide) ~ 2.8(Tele)	
Angular Field of View	H : 94.4°(Wide) ~ 28°(Tele) / V : 69.2°(Wide) ~ 21°(Tele)	
<b>PAN / TILT / ROTATE</b>		
Pan Range	0° ~ 352°	
Tilt Range	0° ~ 73°	
Rotate Range	0° ~ 348°	
<b>OPERATIONAL</b>		
On Screen Display	English, Japanese, Spanish, French, Portuguese, Taiwanese, Korean	English, French, German, Spanish, Italian, Chinese, Russian, Polish, Czech, Romanian, Serbian, Swedish, Danish, Turkish, Portuguese
Camera Title	On / Off (Displayed 15 characters)	
Day & Night	Auto (ICR) / Color / B/W	
SSDR	On / Off (Level adjustable)	
Backlight Compensation	WDR / User BLC / HLC / SDDR / Off	
Wide Dynamic Range	128x	160x
Motion Detection	On / Off (8 programmable zones)	
Digital Image Stabilization	On / Off	
Intelligent Video Analytics	Detection / Tracking / Fixed / Moved / Alarm out	
Privacy Masking	On / Off (12 programmable zones, Polygonal type)	
2D+3D Noise Filter (SSNRIII)	On / Off (Level adjustable)	
Sens-up (Frame Integration)	Auto / Off (Selectable 2x ~ 512x)	
Gain Control	Low / High / Off	
White Balance	AWC / Manual / Indoor / Outdoor / ATW (1,700°K ~ 11,000°K)	
Electronic Shutter Speed	1/60 ~ 1/120K sec	1/50 ~ 1/120K sec
Reverse	Off / H-REV / V-REV / HV-REV	
Communication	Coaxial control	
<b>ENVIRONMENTAL</b>		
Operating Temperature / Humidity	-10°C ~ +50°C (+14°F ~ +122°F) / Less than 90% RH	
<b>MECHANICAL</b>		
Dimension (WxH)	Ø115.8 x 92.7mm (Ø4.56" x 3.65")	
Weight	365g (0.8 lb)	
Certifications	FCC (Class A), UL/cUL listed	CE (Class A), UL/cUL listed

### Dimensions

Unit : mm (inch)



The Eco mark represents Samsung Techwin's will to create environment-friendly products, and indicates that the product satisfies the EU RoHS Directive.

Design and specifications are subject to change without notice.



#### SAMSUNG TECHWIN CO., LTD.

701, Sampyeong-dong, Bundang-gu, Seongnam-si, Gyeonggi-do Korea 463-400  
Tel : +82-70-7147-8741~8749, 8752-8760 Fax : +82-31-8018-3745  
www.samsungsecurity.com www.samsungcctv.com

SAMSUNG TECHWIN AMERICA INC.  
1480 Charles Willard St. Carson, CA 90746, UNITED STATES  
Tel Free : +1-877-213-1222 Fax : +1-310-632-2195  
www.samsungcctvusa.com

SAMSUNG TECHWIN EUROPE LTD.  
Samsung House, 1000 Hillwood Drive, Hillwood Business Park  
Chertsey, Surrey, UNITED KINGDOM KT16 0PS  
Tel : +44-1932-45-5300 Fax : +44-1932-45-5325

TIANJIN SAMSUNG TECHWIN OPTO-ELECTRONICS CO., LTD.  
No.11 Wei 6 Street, Micro-Electronic Industrial Park  
Jingang Road, Tianjin, P.R. CHINA 300385  
Tel : +86-22-23887788 Fax : +86-22-23887788

■ DISTRIBUTED BY

